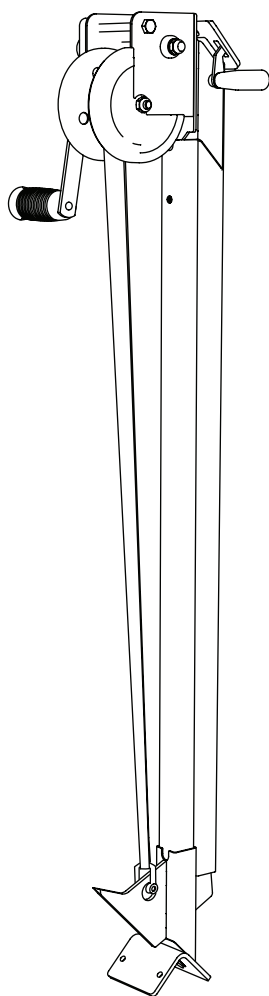


 **LOGOSOL**

USER MANUAL

Ref. no. 0458-395-0084



LOGOSOL

TREE PUSHER/LOG LIFTER

EN

THANK YOU FOR CHOOSING A LOGOSOL PRODUCT!

We are very pleased that you have demonstrated your confidence in us by purchasing this product and we will do our utmost to meet your expectations.

Logosol has been manufacturing sawmills since 1989, and in that time we have supplied approximately 50 000 machines to satisfied customers the world over.

We are just as concerned with your safety as we are that you achieve the best possible results. We therefore recommend that you take the time to carefully read this user manual from cover to cover in peace and quiet before you begin using the product.

We hope you get a lot of satisfaction from the use of your new product.

Bengt-Olov Byström

Bengt-Olov Byström
Founder and chairman,
Logosol in Härnösand, Sweden



Read through the user manual carefully and make sure you understand its contents before you use the equipment.



This user manual contains important safety instructions.



WARNING! Incorrect use can result in serious or fatal injuries to the operator or others.



LOGOSOL continuously develops its products. For this reason, we must reserve the right to modify the configuration and design of our products.
Document: Logosol Tree Pusher/Log Lifter
Manual, ref. no: 0458-395-0084
Text: Mattias Byström, Robert Berglund, Martin Söderberg
Illustrations: Martin Söderberg
Last revised: November 2018
© 2018 LOGOSOL, Härnösand Sweden

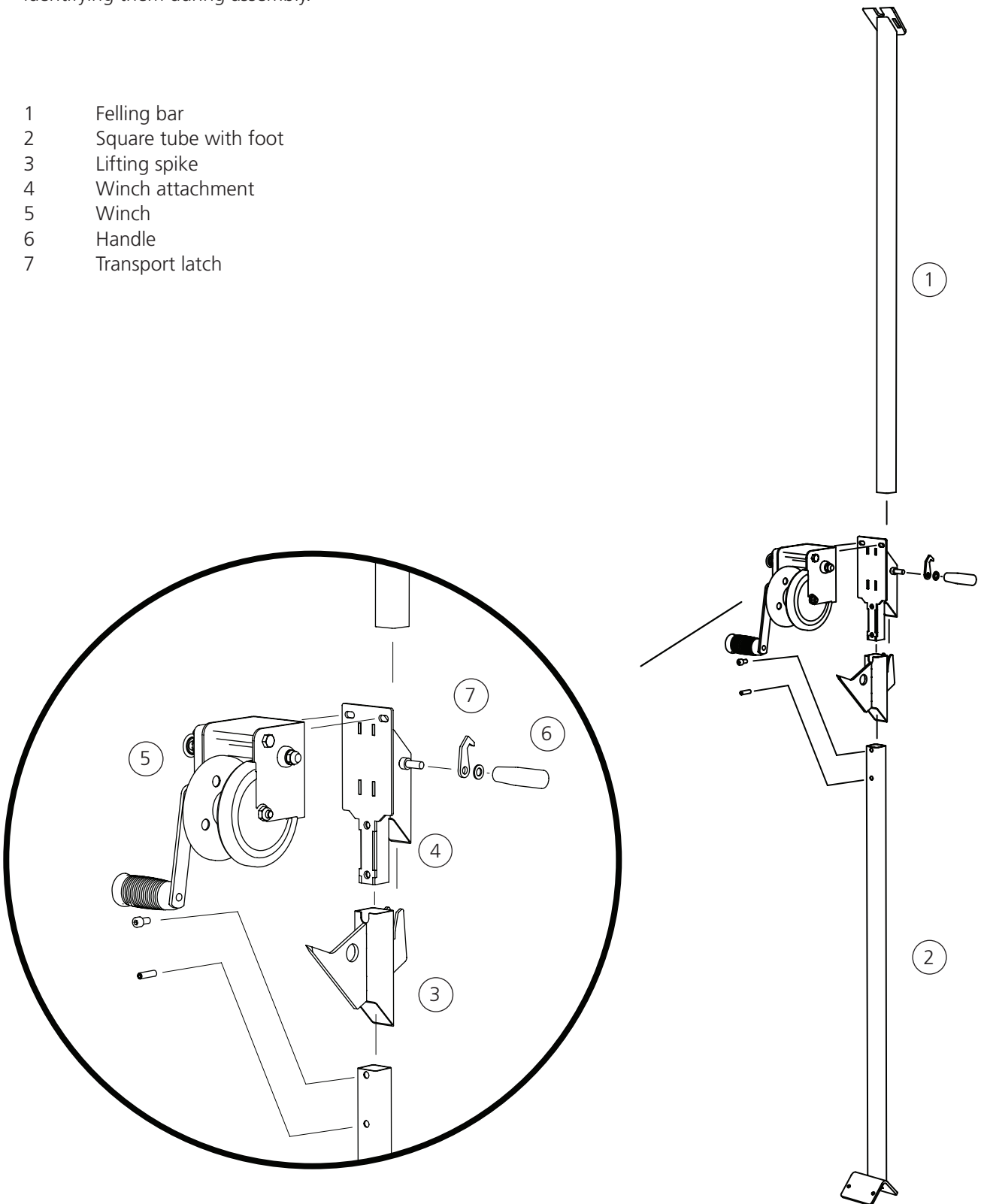
TABLE OF CONTENTS

Safety instructions	2
Exploded view	4
Components	5
Safety and use	6
Assembly	7
Transport latch	11

EXPLODED VIEW

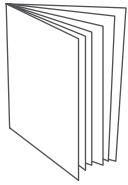
Below, the components are described to assist in identifying them during assembly.

- 1 Felling bar
- 2 Square tube with foot
- 3 Lifting spike
- 4 Winch attachment
- 5 Winch
- 6 Handle
- 7 Transport latch

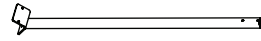
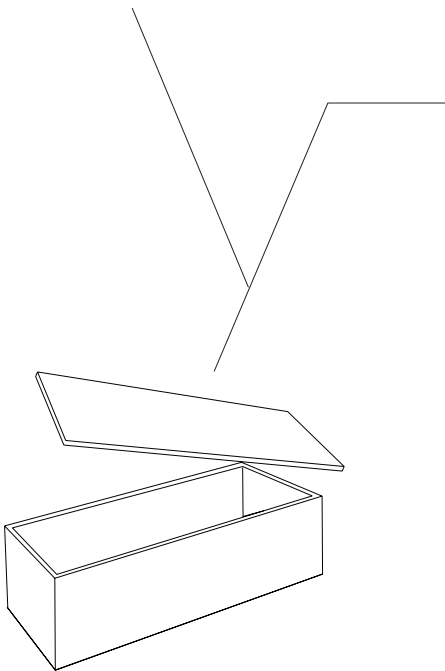


COMPONENTS

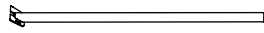
Check that all components are included in the shipment.



Manual



— 1 ——— Square tube with foot



— 1 ——— Felling bar



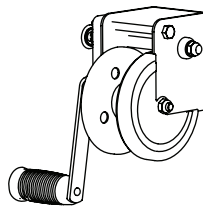
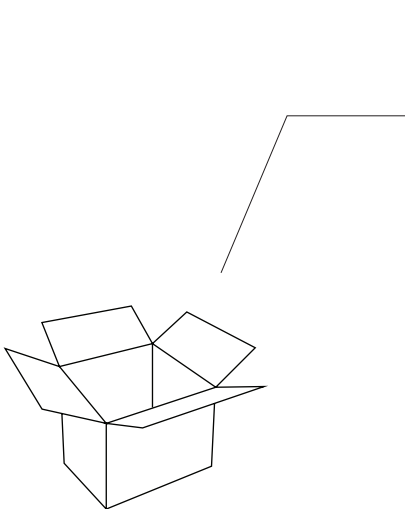
— 1 ——— Winch attachment



— 1 ——— Lifting spike



— 1 ——— Bolt bag



— 1 ——— Winch



— 1 ——— Bolt bag



— 1 ——— Assembly instructions

SAFETY AND USE



Read this use manual before starting to use the product.



Safe tree felling. Follow the latest advice on safe tree felling, which among other things includes personal protective equipment, felling wedges and the correct sawing method. The tree pusher/log lifter is just a complement that facilitate when felling trees. It should not be used for felling trees that are leaning from the felling direction or have a diameter that exceeds 30 cm (12”).



Use safety shoes with steel toecaps.



Use protective gloves.



Hold the crank handle firmly with your right hand and the fixed handle with your left hand when using the tree pusher/log lifter.

Pressure: Max. 300 kg (661 lbs)

IMPORTANT: The winch is disengaged automatically and has no manual backstop. It requires the same force to disengage the winch as to lift the log. If you exceed the limit of 300 kg (661 lbs) lifting or pushing force, there is a risk that the winch cannot be disengaged, and you run the risk of bending the square tubes of the tree pusher/log lifter.

Use

The tree pusher/log lifter has two functions:

1. Lifting a log end from the ground.

Remove the felling bar for this application. Drive the spike into the log end by swinging the tree pusher/log lifter against it.



Never lift higher than 1 m (3 ft.), and never lift heavier than 300 kg (661 lbs).



Stand behind the foot of the tree pusher/log lifter while lifting logs, so the log cannot hit your legs or feet if it should come loose from the spike.

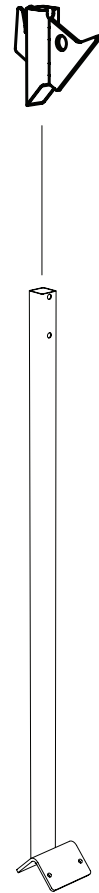
2. Planning the felling direction when felling trees.

Position the tree pusher/log lifter at a 45 degree angle against the tree and use the winch to secure it. Make sure that you have not reach the end position of the felling bar. The bar should always have a couple of extra decimetres left for you to push with, if the tree should not fall.

ASSEMBLY

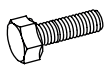
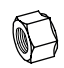

1

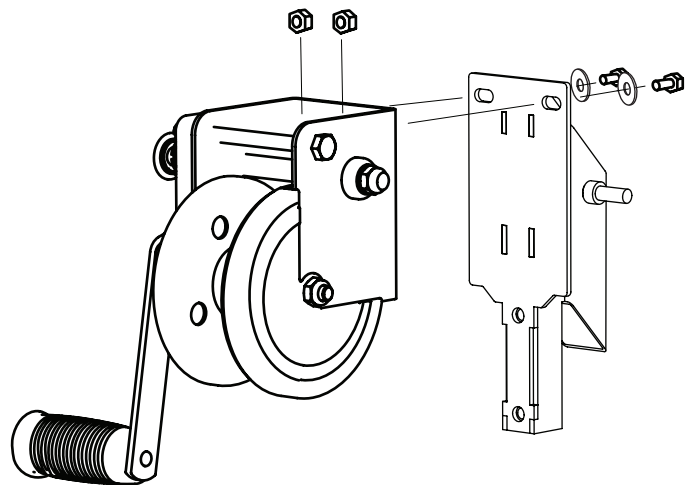
Fit the lifting spike to the square tube with foot.



2

Fit the winch to the winch attachment.

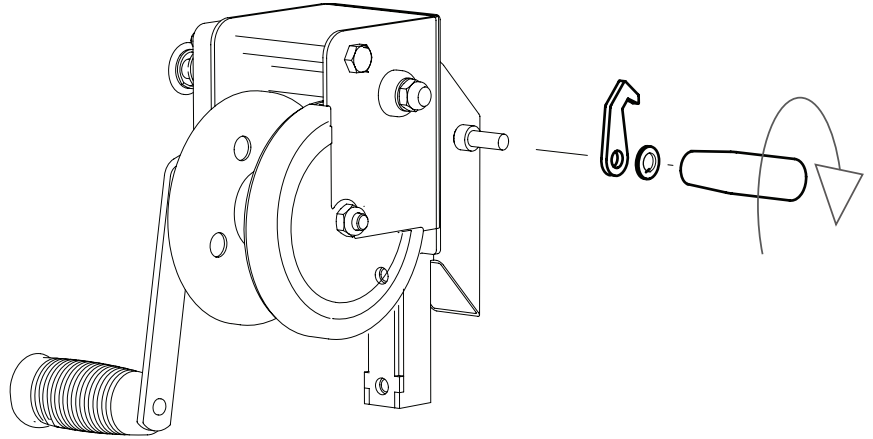
-  - 2 — Hex bolt M8x25
-  - 2 — Lock nut M8
-  - 2 — Washer M8



ASSEMBLY

3

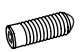
Fit the handle and the transport latch to the winch attachment.

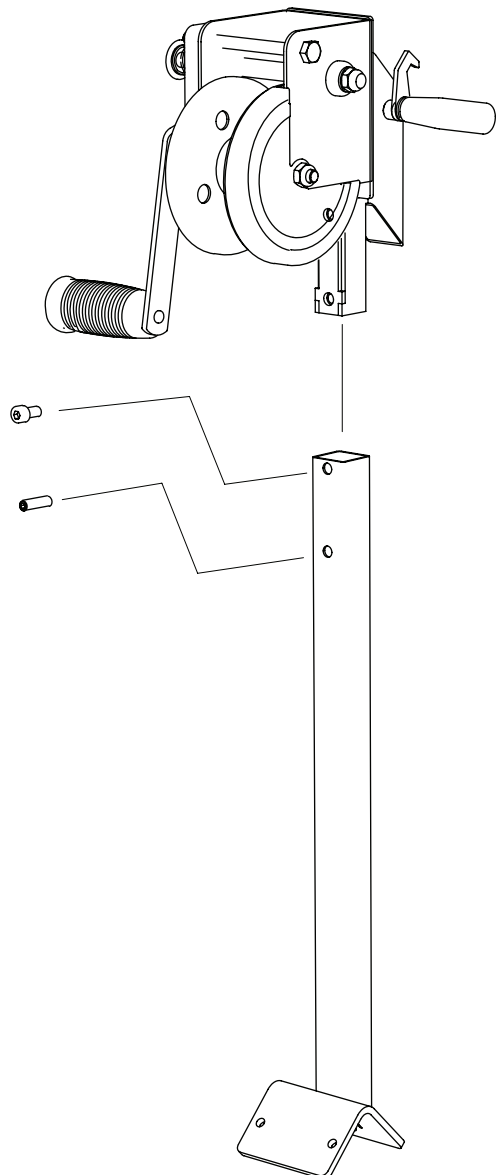


4

Fit the winch assembly to the top of the square tube. **Do not tighten the bolts completely.**

 — 1 — Allen bolt M8x16

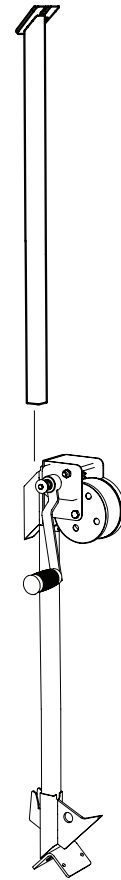
 — 1 — Adjusting bolt M8x30



ASSEMBLY

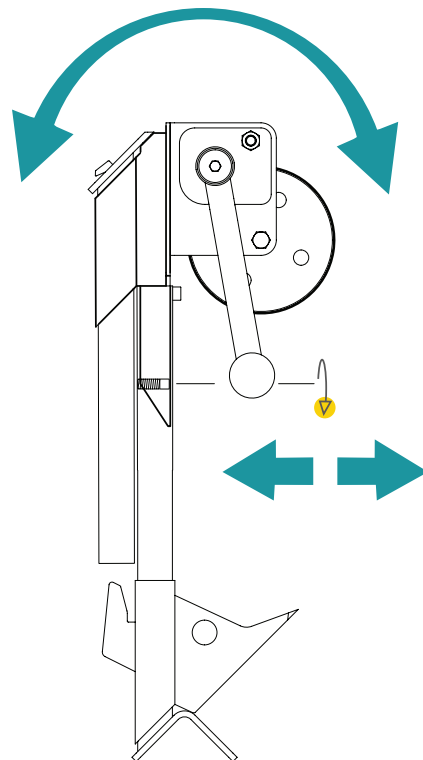
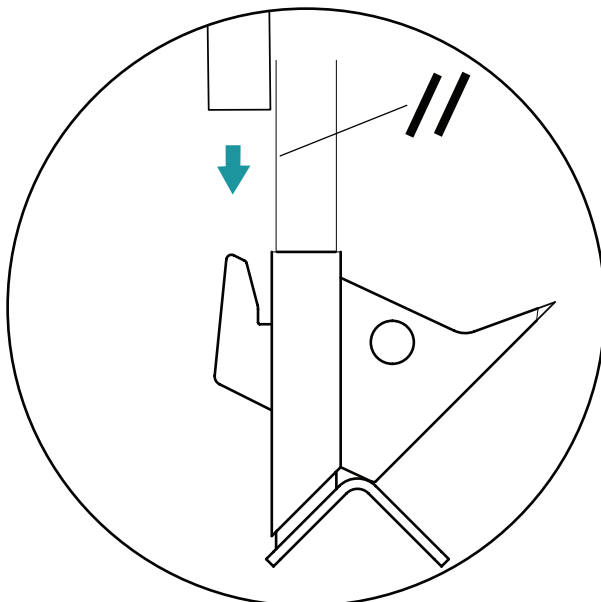
5

Pass the felling bar through the winch attachment.



6

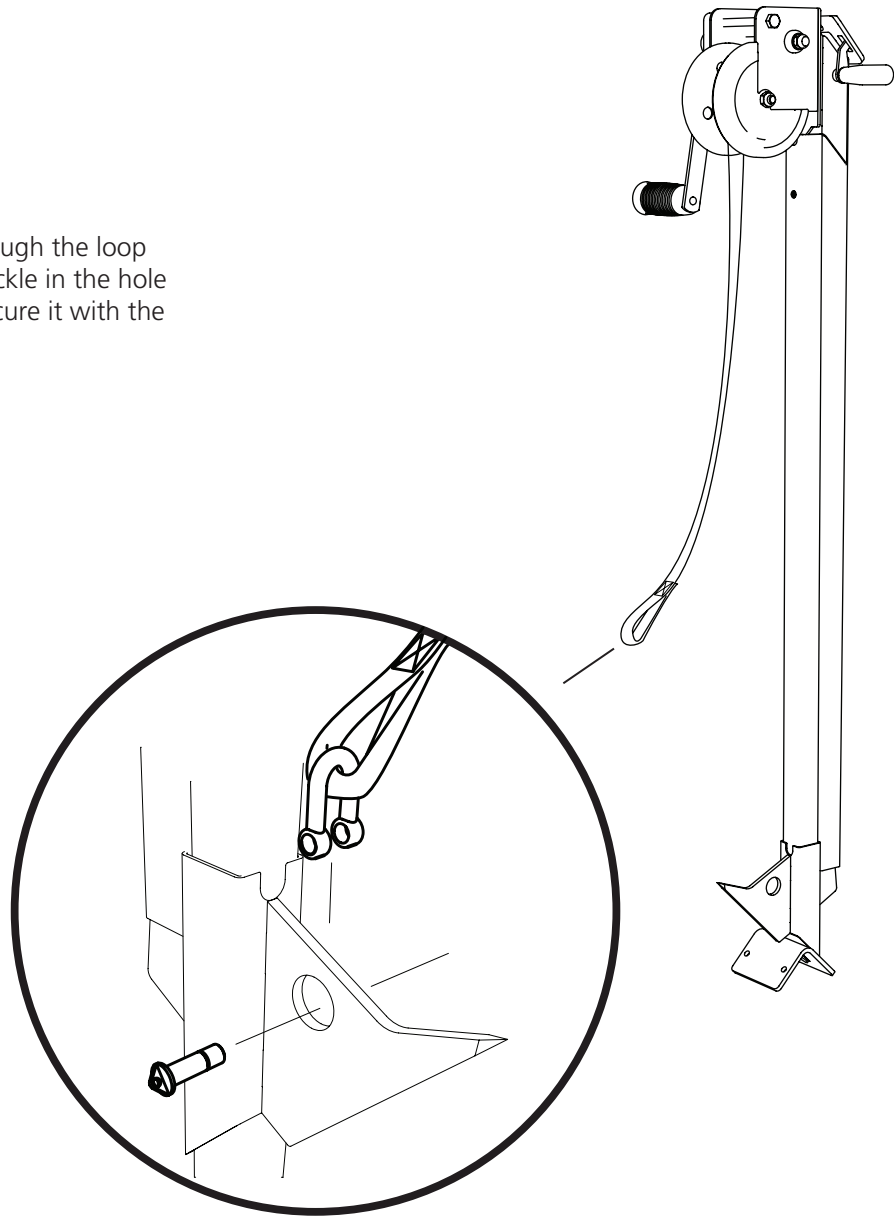
Using the adjusting bolt, adjust the angle of the winch attachment until the felling bar and the lifting spike runs smoothly up and down along the square tube. Then tighten the top bolt.



ASSEMBLY

7

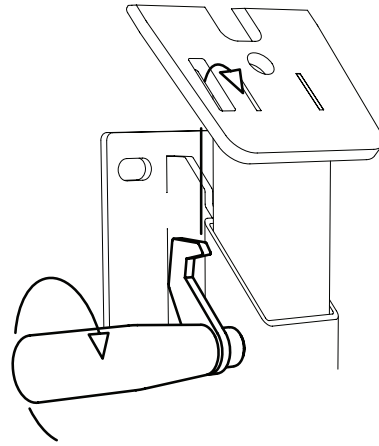
Thread the shackle through the loop in the strap. Fit the shackle in the hole above the spike and secure it with the shackle bolt.



TRANSPORT LATCH

When transporting: Activate the transport latch and lock it with the rotatable handle.

Tip: Release the lifting strap and use it as a shoulder strap.





 **LOGOSOL**

Fiskaregatan 2, 871 33 Härnösand, SWEDEN
+46 611 182 85 | info@logosol.com | www.logosol.com