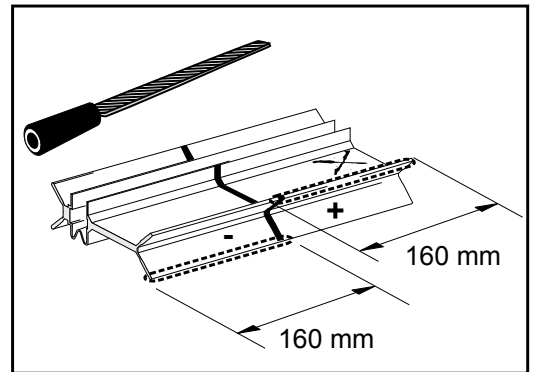
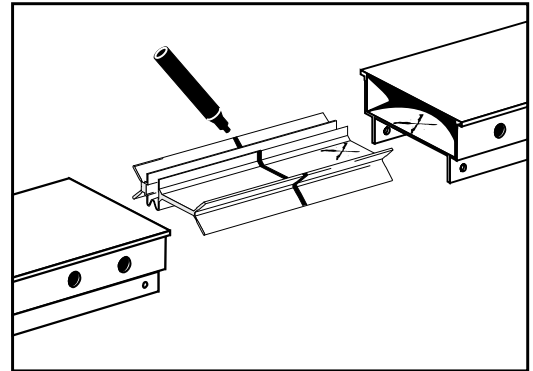


Fine-tuning of the joint couplers.

When two guide rails are coupled together, you often get a small difference in level on the sliding surface, which can make it difficult for the saw unit to run or make it bump as it passes the joint. This can easily be adjusted at the joint coupler.

Before you start modifying the joint coupler, make sure that it is correctly fitted in the rails. The joint coupler should be fitted as follows:

- A. Grind off sharp edges on both ends of the guide rail using a fine sandpaper or a fine-cut file
- B. Check the sides of the joint coupler. If necessary, file away protruding damages.
- C. Clean the inside of the guide rails.
4. Oil the long sides of the joint coupler before you insert it into the guide rails.
- D. Turn the joint coupler to the correct direction. The screws should be visible on the upper side before the guide rails are pushed together.
- E. Hit the rails gently using your hand or a rubber hammer while you are gradually tightening the expander screws to make sure that the joint coupler expands properly inside the guide rails.



Adjusting the joint coupler.

1. If you can feel that there is a height difference on the joint where the guide rails meet, mark the point that is too high with '+' and the point that is too low with a '-', using a pencil. NB: Height deviations on the middle point of the joint do not matter and should not be adjusted.
2. Mark the joint coupler with a felt pen, so that you know which end of the coupler belongs to which guide rail. For instance, write "X" inside one of the guide rails and on one of the coupler's ends. Also draw a line across the joint coupler, so that you know where the middle is.
3. File carefully using a flat file on the upper flange or flanges of the coupler that belongs to the side or sides of the guide rail you want to lower (+), and file equally on the lower flange that belongs to the side you want to raise (-). Start from the edge and file 160 mm towards the other end, i.e. 10 mm over the centre line.
4. Oil the filed surfaces.
5. Fit the guide rails together according to the instructions above (A-E) and inspect the result of your adjustment. If you are not satisfied, repeat the process from step 1 until the guide rails are level. Deviations less than 0.1 mm should not be adjusted.

