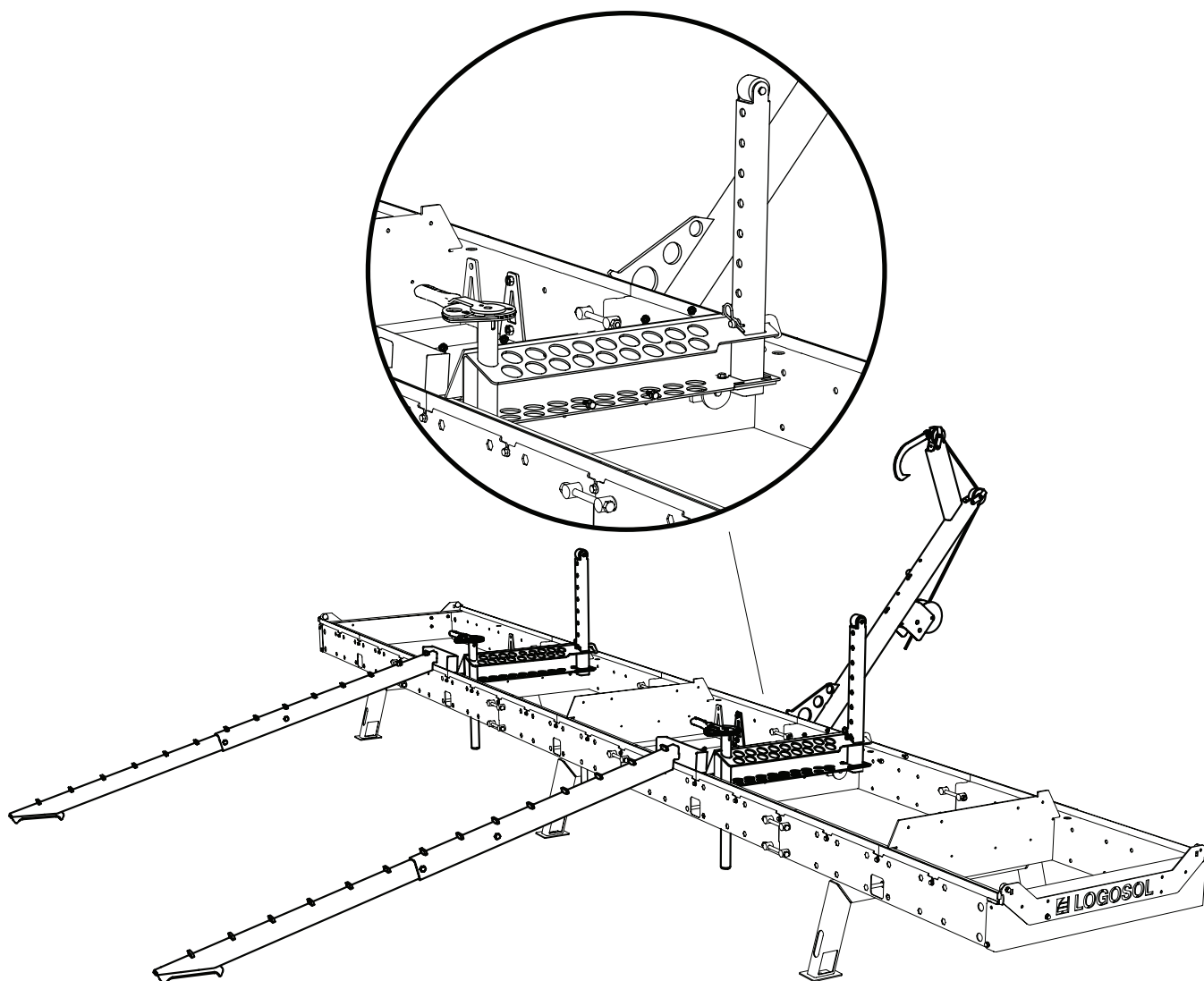


USER MANUAL

Art.nr. 0458-395-2202



LOG HANDLING

B1001/B751PRO

THANK YOU FOR CHOOSING A LOGOSOL MACHINE!

We are very pleased that you have demonstrated your confidence in us by purchasing this product, and we will do our utmost to meet your expectations.

Logosol has been manufacturing sawmills since 1989. In that time we have supplied approximately 50,000 machines to satisfied customers the world over.

We care about your safety as well as we want you to achieve the best possible results with your equipment. We therefore recommend that you take the time to carefully read this user manual from cover to cover in peace and quiet before you begin using the product.

We hope you get a lot of satisfaction from the use of your new equipment.



Bengt-Olov Byström
Founder and chairman,
Logosol in Härnösand, Sweden



Read through the user manual carefully and make sure you understand its contents before you use the equipment.



This user manual contains important safety instructions.



WARNING! Incorrect use can result in serious or fatal injuries to the operator or others.



LOGOSOL continuously develops its products. For this reason, we must reserve the right to modify the configuration and design of our products.

Document: User Manual Loghandling
Ref. No. User Manual, English: 0458-395-2202

Text: Martin Söderberg
Illustrations: Martin Söderberg

Last revised: January 2020

© 2020 LOGOSOL, Härnösand Sweden

TABLE OF CONTENTS

Safety instructions	4
Exploded view	6
Components	7
Assembly	9
Functions	13

SAFETY INSTRUCTIONS

- Read carefully through the entire user manual before starting to use the equipment. Failure to observe these safety instructions may result in fatal injuries.
- Make sure that everyone who uses the sawmill is well informed of the dangers and has read the user manual. The user manual shall always be available to the persons working with the sawmill. This also applies where the sawmill is sold or loaned out.
- Minors under 18 years of age are not allowed to operate the sawmill.
- Make sure that children and animals are not in the vicinity when the sawmill is being operated.
- Respect the safety distances to avoid injuries from high noise levels and from a broken blade that is thrown off.
- Anyone working with the sawmill must be fit for work, healthy and in good physical condition. Make sure you take regular breaks when operating the machine. Never operate the machine while under the influence of alcohol, narcotics or other drugs or medicines that can cause drowsiness or inattention.
- Only work with the equipment where visibility is good. Never work with the equipment in the dark or where visibility is poor.
- Make sure there are other persons within earshot who you can summon if you need help.
- Only add extra equipment to the sawmill that is made by Logosol or that is specifically approved by Logosol for the purpose. Other equipment can cause accidents and should not be used. Logosol will not accept liability for personal injury or material damage that occurs while using non-approved attachments on the sawmill.
- Always wear protective clothing and use personal protective equipment: Close-fitting work overalls are appropriate. Never operate the sawmill wearing loose-fitting clothes, overall coats or similar.
- Use safety shoes with high-grip soles and steel toecaps. Neckerchiefs, ties, jewellery or other items that can get caught in the equipment are not to be worn.

Key to symbols



For your own safety, read through the entire user manual carefully and do not start the machine before you have understood everything.



Use approved ear protectors and protective eyewear. Hearing can be damaged even after short periods of exposure.



Sharp rotating tools. Make sure that your fingers never come near the cutting tools.









This symbol means 'WARNING'. Pay particular attention where this symbol appears in the manual text.






This symbol is followed by instructions that must be observed. Pay particular attention where this symbol appears in the manual text.

SAFETY INSTRUCTIONS

THE WORKSITE

-  **WARNING!** Never operate a band sawmill with a petrol-powered engine in enclosed or poorly ventilated areas. This can result in death due to suffocation or carbon monoxide poisoning.
-  Only operate the band sawmill and handle band blades in full daylight or under adequate lighting.
-  Keep the work area free from clutter, pets, children, obstacles or other things that can distract the operator.
-  Choose a worksite where the ground is hardpacked and level, with plenty of space for the band sawmill, a pile of logs and sawn timber. If possible, place the band sawmill so that the sawdust blows away from the operator. Set up the band sawmill on level ground with at least 5 m of free space without any obstacles around the equipment. If the band sawmill is to be set up permanently, we recommend that you support the rail frame with concrete plinths or wooden blocks (15 cm x 15 cm) under each cross bunk.
-  Always keep an ABC fire extinguisher (min. 3 kg) easily accessible at the worksite.
-  Always keep a fully-stocked first-aid kit easily accessible at the worksite.

MOVING THE BAND SAWMILL

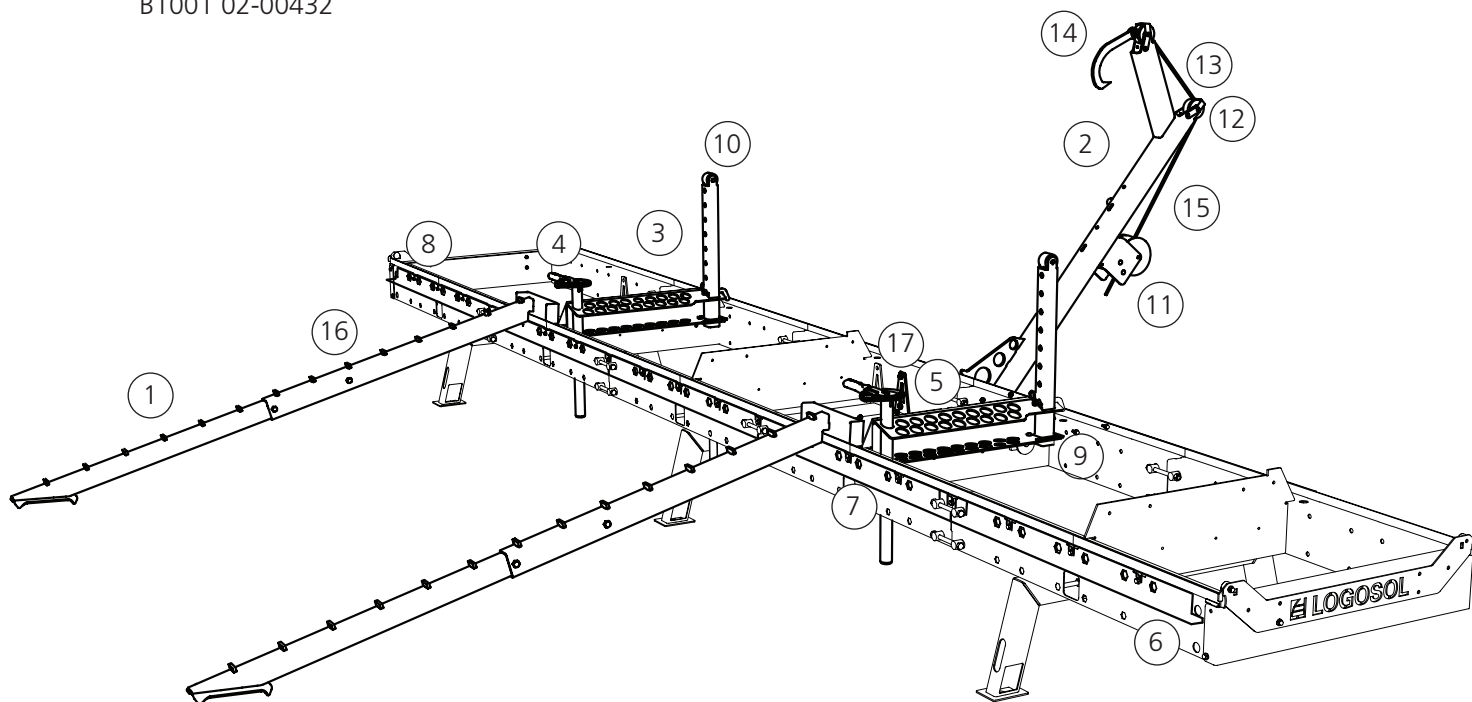
-  **WARNING!** Risk of crush injuries.
-  Keep people and pets outside the 5 m danger area around the machine while lifting and moving the machine parts. Secure the load during transport.
-  The sawmill trailer may only be moved when the sawhead is secured laterally and vertically on the rails as described in this manual.

Securing the sawhead: Secure the sawhead as described in the manual for your band sawmill, using the supplied locking mechanism, before moving the sawmill.

EXPLODED VIEW

Below the components are described to assist in identifying them during assembly.

- 1 02-00397
- 2 02-00429
- 3 01-00498
- 4 01-00532
- 5 B751 PRO 03-02667
B1001 03-02642
- 6 03-02648
- 7 03-02459
- 8 03-02649
- 9 03-02461
- 10 03-02650
- 11 04-00347
- 12 03-02647
- 13 03-02646
- 14 02-02487
- 15 04-00346
- 16 02-00396
- 17 B751 PRO 02-00430
B1001 02-00432





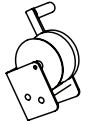


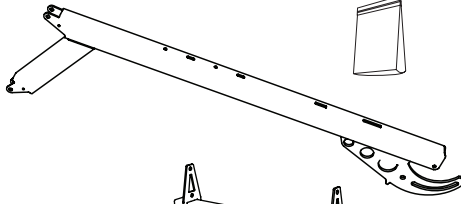
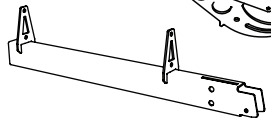

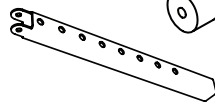
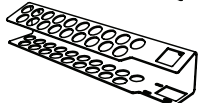

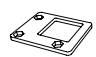


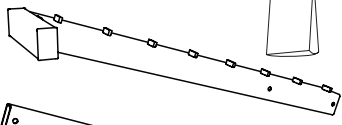
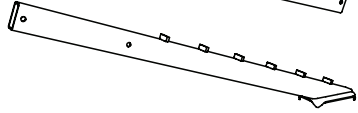

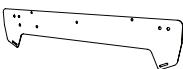
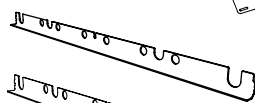
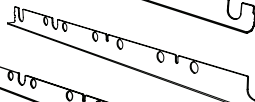
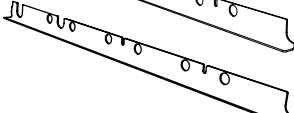


COMPONENTS

Check that all components are included in the shipment.

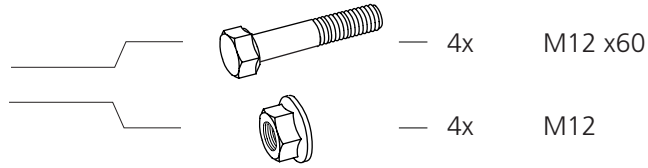


Manual

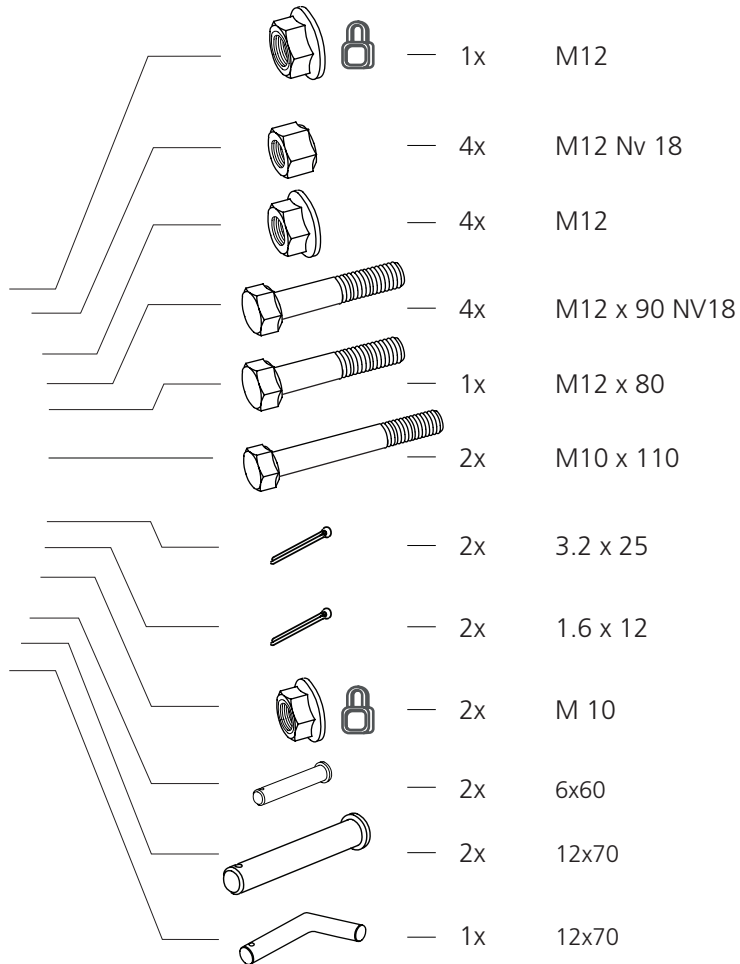
	2 x	03-02646
	2 x	03-02647
	1 x	02-02487
	1 x	04-00346
	1 x	04-00347
	1x	01-00507
	1x	01-00502
	1x	02-00429
	1x	B751 PRO 02-00430
	1x	B1001 02-00432
	2x	03-02650
	2x	01-00498
	2x	03-02667
	2x	B1001 03-02642
	2x	01-00532
	2x	03-02461
	2x	01-00505
	1x	01-00570
	2x	02-00396
	2x	02-00397
	4x	04-00349
	2x	03-02488
	6x	03-02459
	2x	03-02648
	2x	03-02649



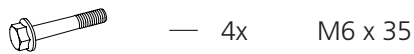
01-00507



01-00502

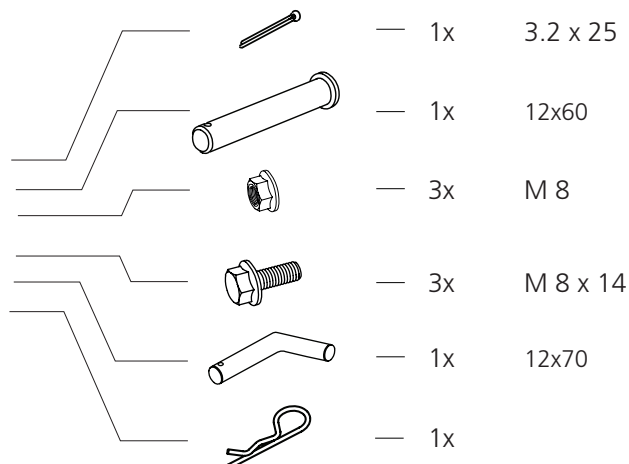


01-00570



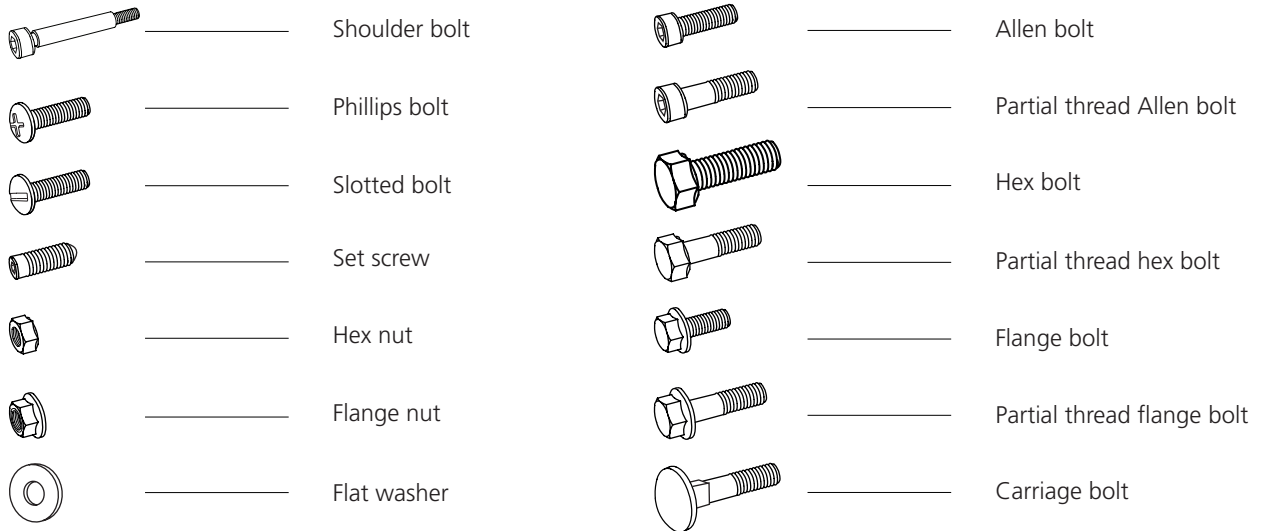
2x

01-00505



BOLTS & NUTS

Definition of fasteners.



ADDITIONAL SYMBOLS

The following symbols are used as supplements to the symbols above to describe the design or function of the fasteners.



DIMENSIONS/LENGTH

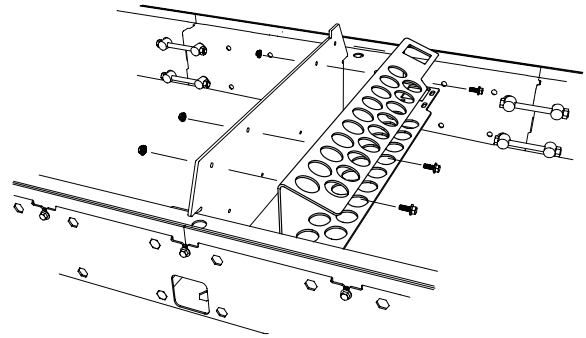
The size of a fastener is written as a diameter measurement **(M)** ISO 68-1. For bolts, this is followed by a length measurement. The length of the bolt is measured from below the head to the tip of the bolt.

(Diameter)		(Length)
M8	x	20

ASSEMBLY

1

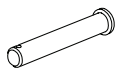
Fit the XL log clamp holder to the original cross bunk. Make sure that the log clamp holder is installed with the square hole on the same side of the rail frame as the original log support. Use the existing bolts for the assembly.



 3x M 8 x 14

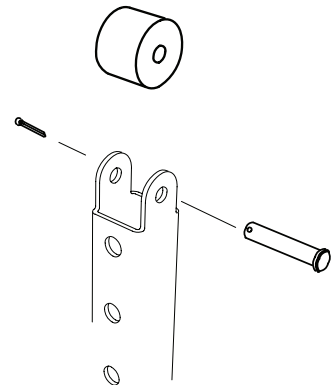
 3x M 8

2

 2x 12x60

 2x 3.2 x 25

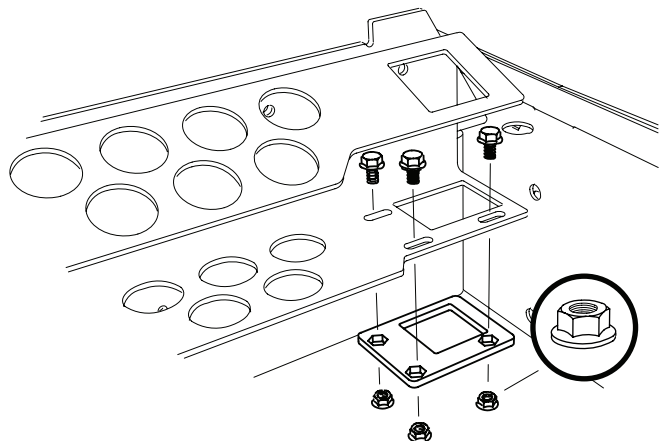
 2x 03-02650



3

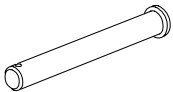
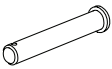



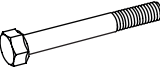

 3x M 8 x 14

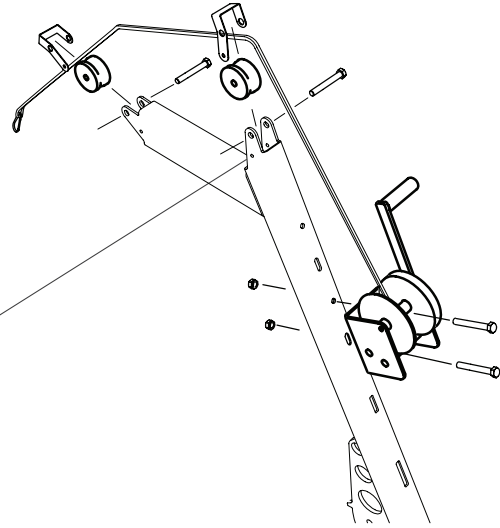
 3x M 8




ASSEMBLY

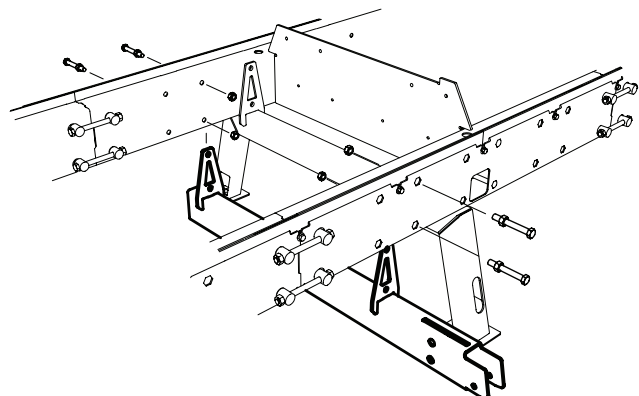
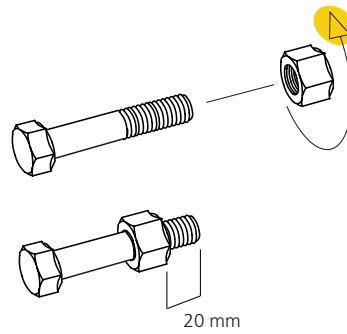
4

-  2x 12x70
-  2x 6x60
-  2x 1.6 x 12
-  2x 3.2 x 25
-  2x 03-02647
-  2x M 10 x 110
-  2x M 10



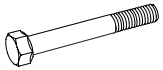
5

-  4x M 12 x 90 NV 18
-  4x M 12 NV18
-  4x M 12



ASSEMBLY

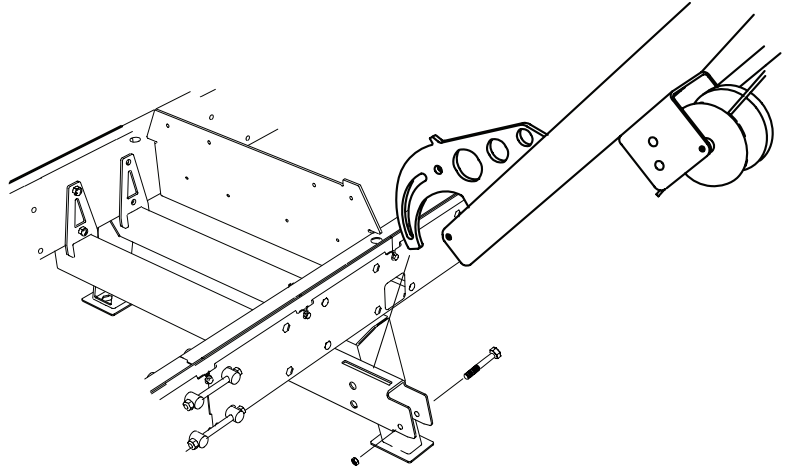
6



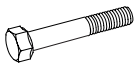
1x M 12 x 80



1x M 12



7



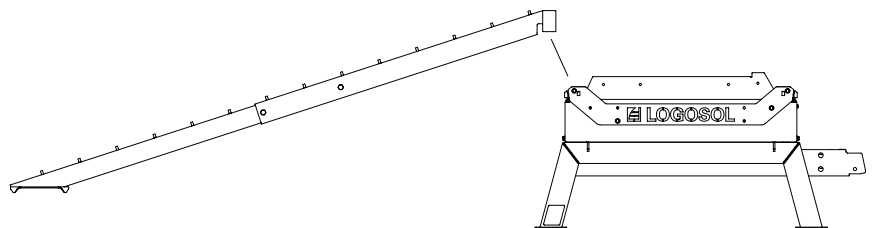
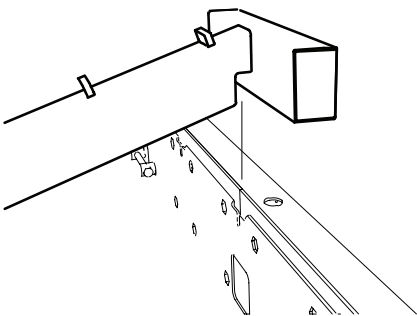
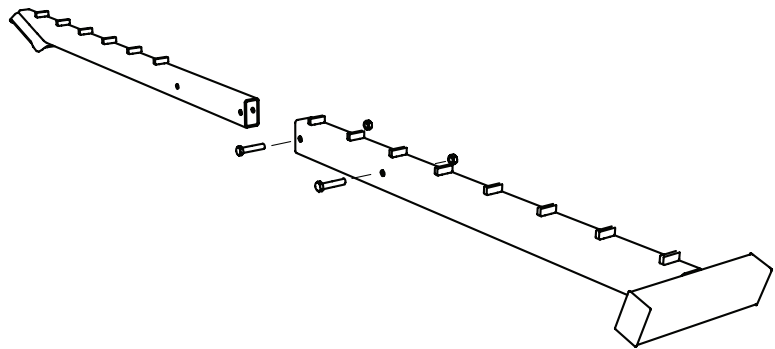
2x M 12 x 60



2x M 12



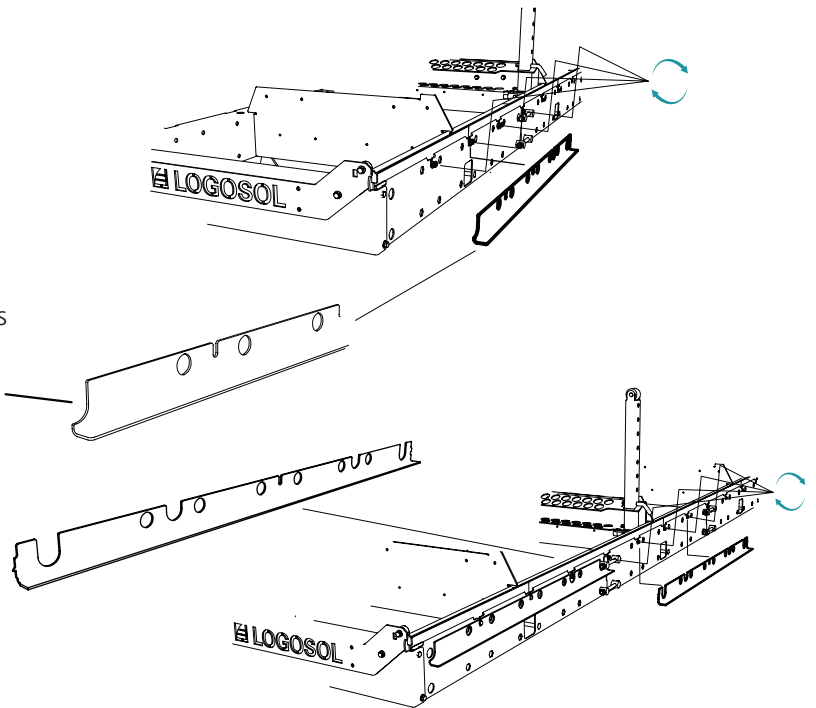
2x 04-00349



ASSEMBLY

8

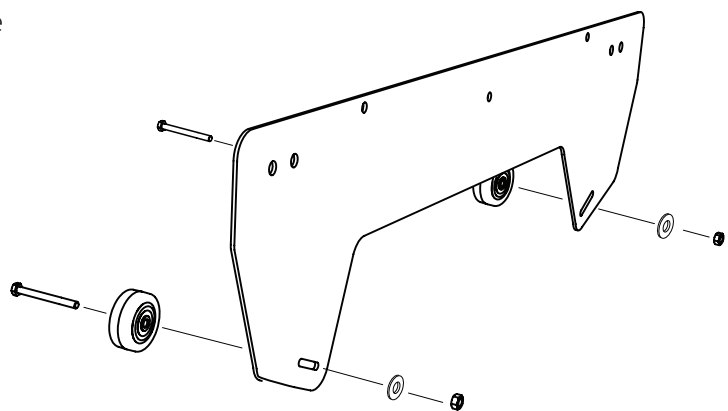
Mount the new anti-tip rails. Use the original bolts that hold the rails. Start and finish the assembly with the "end pieces". Be careful not to unscrew the bolts too much, since this can make the nuts fall off.



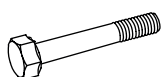
9

Fit the anti-tip wheels to the anti-tip plate. Use the washers and the nuts from the existing assembly.

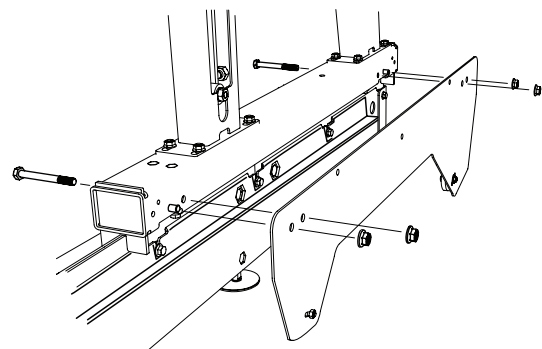
 2x M 6 x 35



10

 2x M 10 x 95

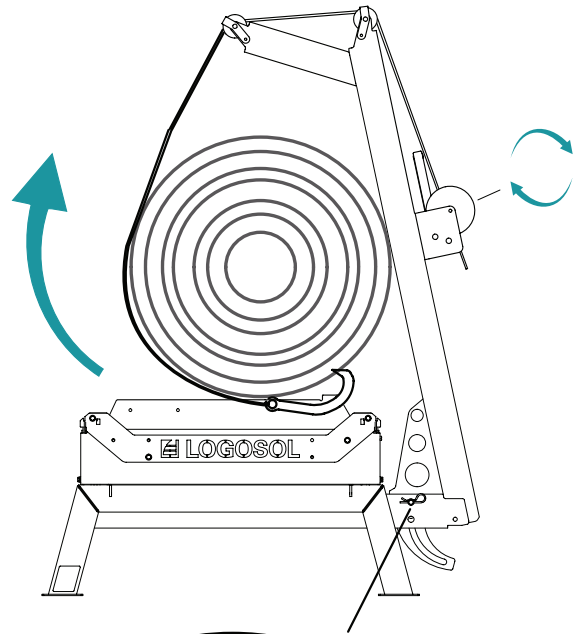
 4x M 10



FUNCTIONS

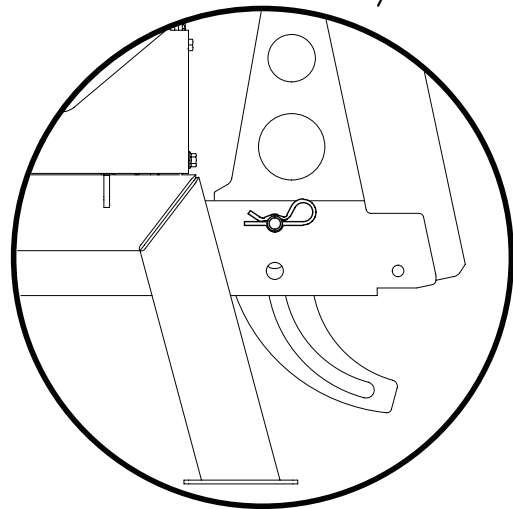
HOW TO ROTATE A LOG

Start by making sure that the crane is locked in its upright position with the spring cotter pin. Pass the lifting cable round the log from the outside, and then attach the hook to the log. Rotate the log with the winch. Set the height of the log supports, so that the rollers on their tops help you when rotating the log. Always secure the log with the log clamps before removing the lifting cable.



WARNING!

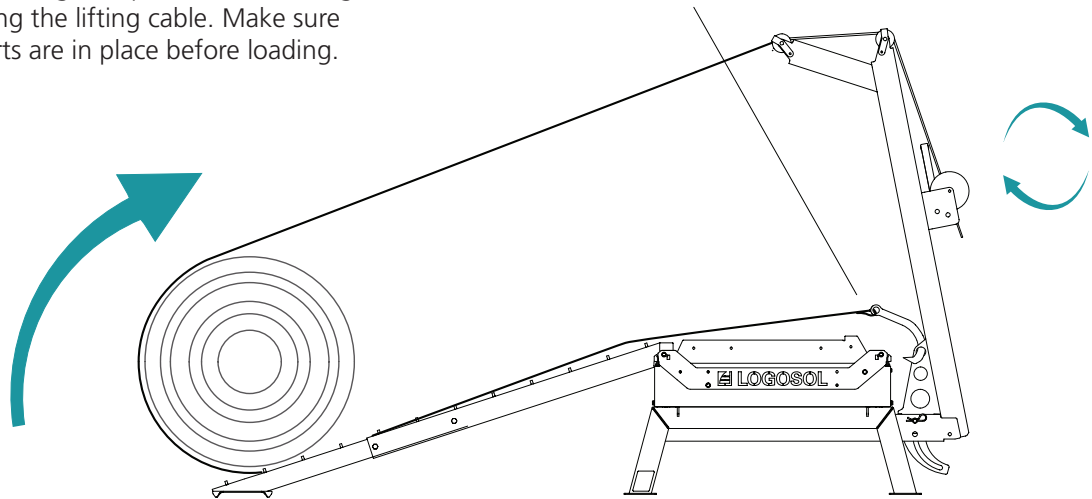
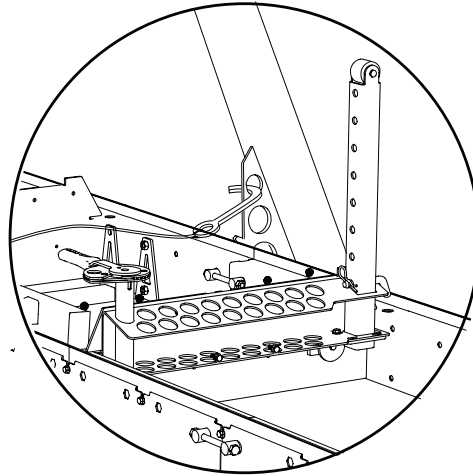
Always lock the crane in place with the spring cotter pin and cotter pin.



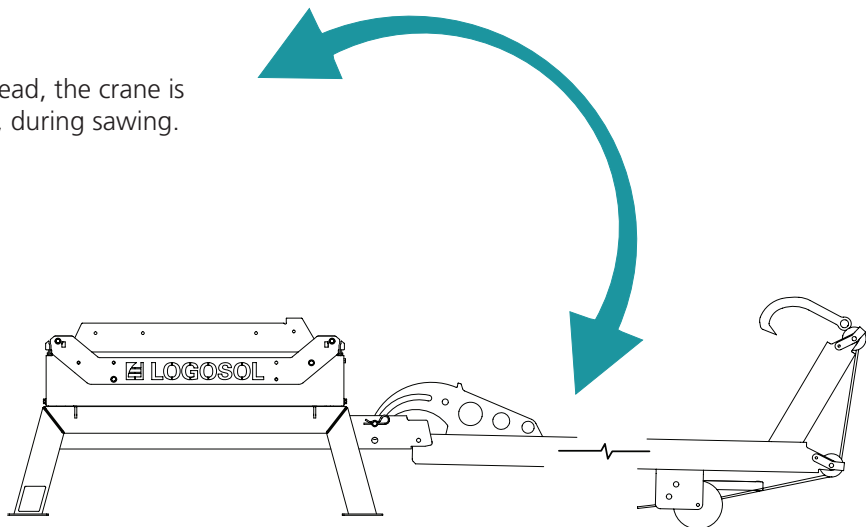
FUNCTIONS

LOADING LOGS

When loading a log with the help of the crane, pass the lifting cable round the log and back to the machine. On the crane there is an attachment point intended for the hook. When the log has been loaded, be careful to use the log supports and log clamps to secure the log before removing the lifting cable. Make sure the log supports are in place before loading.



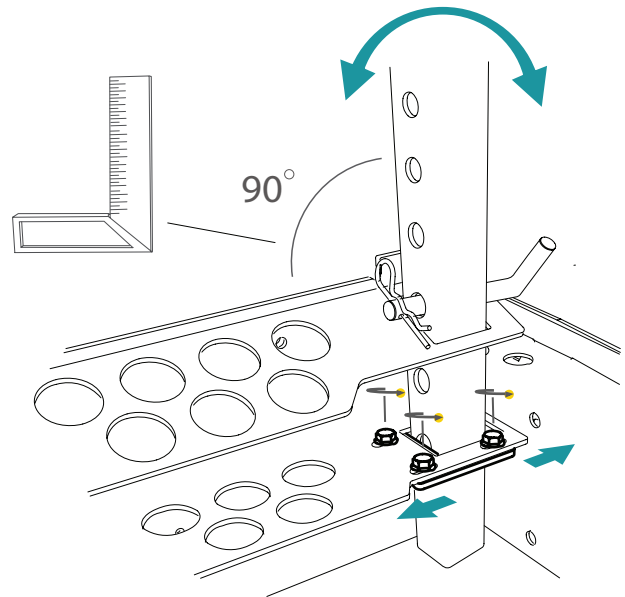
To enable movement of the sawhead, the crane is folded down, away from the rails, during sawing.



FUNCTIONS

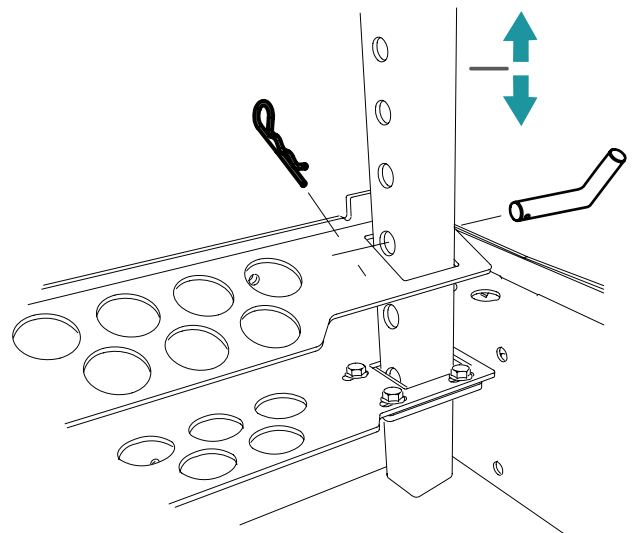
THE ANGLE OF THE LOG SUPPORTS

Adjust the angle of the log supports by loosening the bolts of the angle adjustment plate. Then adjust the angle of the log support until it is at a 90 degree angle to the cross bunk.



THE HEIGHT OF THE LOG SUPPORTS

The height of the log supports is adjusted in fixed steps and then locked in place with the bent hitch pin and the spring cotter pin.



LOGOSOL

Fiskaregatan 2, 871 33 Härnösand, SWEDEN
+46 611 182 85 | info@logosol.com | www.logosol.com