

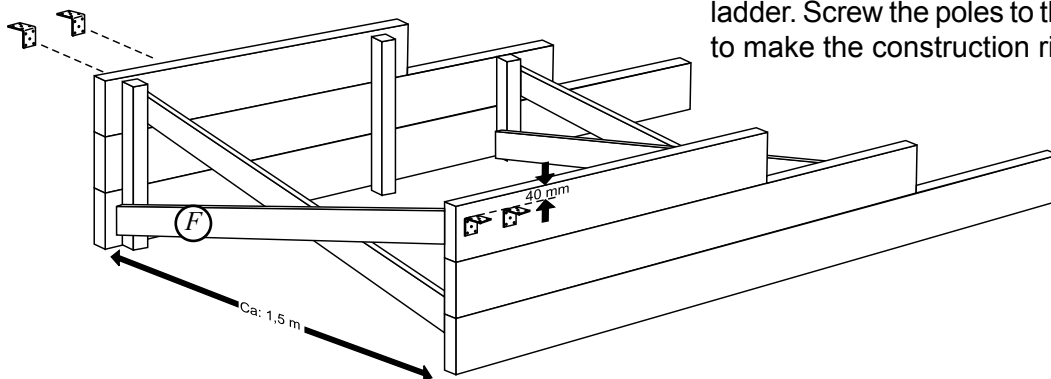
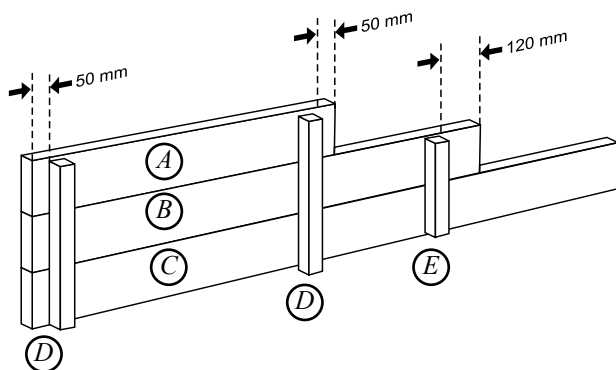
Building your own log ladder – Instructions

The height of the log ladder should be adapted to suit your length. If you have a tractor or the like, with which you load the logs, you can make a plane log bed instead of a log ladder. Below you will find instructions for building a log ladder in a small format that is easy to take along with you. If you remove the cross struts, the log ladder will fit into a common private car.

Work on clear and level ground when the steps are nailed together. Drive the nails in slightly at an angle so that they do not pierce through

the boards. Remember to make the sides mirror-reversed so that the 2”2 joists can be turned inwards on both side of the ladder. Cut the cross struts (F) diagonally at the ends and screw them to the 2”2 joists so that they are on opposite sides of the joists, according to fig. Attach the assembly angle irons (B) which will serve as a support for the Big Mill System’s arms. Place the arms on the angle irons. They should protrude 55mm from the ladder. Drill 8 mm holes for fastening the arms. Use a Big Mill arm as a template, and drill in the outer edges of its tracks. Put large washers on the screws, and drive them into the holes from the inside and out, so that the nuts will be inside the arm. This, together with the assembly angle irons, makes it easy to assemble and disassemble the Big Mill System. Tighten the arms with washers and nuts.

Adjustment: Look at the racks from the side. Place e.g. pieces of slabs under the log ladder until the racks are completely parallel to each other. If the ground gives way, make four small poles out of a one-inch board, and drive a pole down into the ground at each corner of the log ladder. Screw the poles to the log ladder in order to make the construction rigid.



Boards:

- 2 2”6x1m (A)
- 2 2”6x1,4 m (B)
- 2 2”6x1,8 m (C)
- 4 2”2x0,42 m (D)
- 2 2”2x0,28 m (E)
- 4 1”4x1,7 m (F)

Additional components:

- 4 assembly angle irons (G), which come with the Timberjig.
- 32 4” nails, 16 wood screws 40 mm, 4 M8x65, 4 M8 washers, 4 large M8 washers (ca 20 mm in diameter) and 4 M8 nuts.

